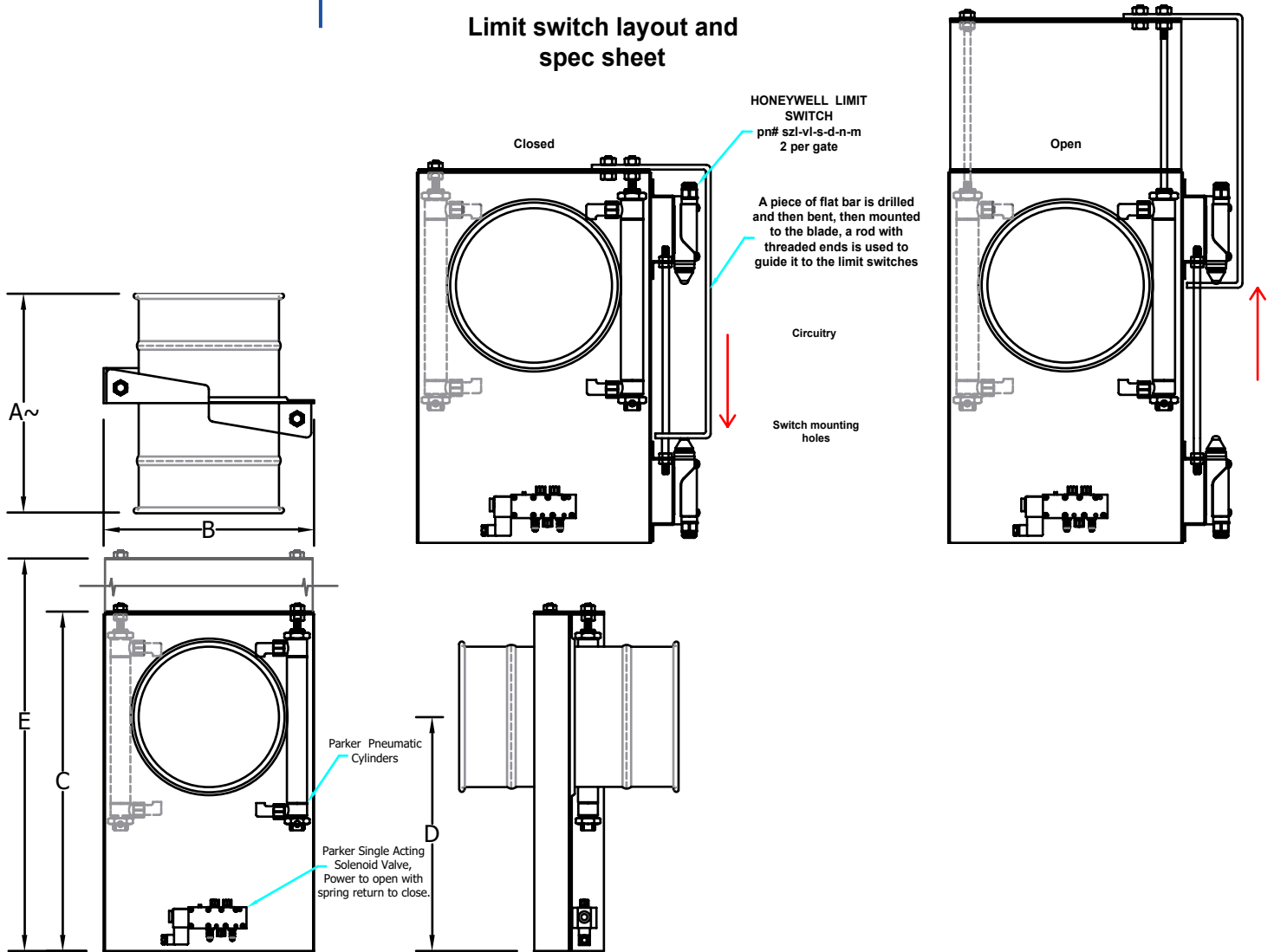




Auto Gate w/ Seals

- Standard with Rolled Lip and available with Vanstone Lip and Angle Rings
- The cylinder requires 90 psi to operate

Limit switch layout and spec sheet

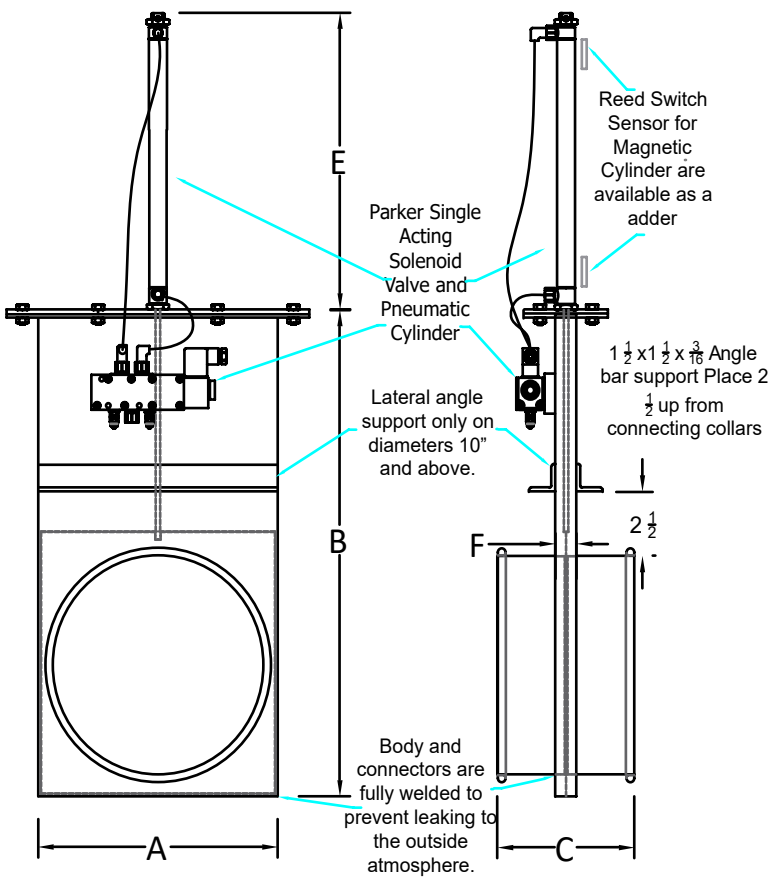


Size ø	A	B	C	D	E is W/Gate Open	Sliding Pl. Thickness	Shell/Body
4	10	6.97	10.43	7.17	15.75	14GA.	16GA.
5	10	7.95	12.40	8.66	18.78	14GA.	16GA.
6	10	8.94	14.37	10.04	21.65	14GA.	16GA.
7	10	10.91	18.31	13.11	27.56	14GA.	16GA.
8	10	10.91	19.33	13.11	27.72	14GA.	16GA.
9	11	13.70	22.04	15.87	33.46	12GA.	14GA.
10	11.5	14.57	22.05	15.87	33.46	12GA.	14GA.
12	11.5	16.54	28.43	20.20	40.20	12GA.	14GA.



Auto Gate No Leaks & No Seals

- Available in Rolled Lip, Vanstone Flange, Angle Rings
- Material types: Galvanized, Stainless Steel, and Carbon Steel
- Ideal for high moisture systems, leak free to the atmosphere
- Requires 90 psi to operate



ATABG						
Size Ø"	A	B	C	E	F	# of Cylinders
3	4"	7 1/2	7 1/2	7	5/8	1
4	5"	9 1/2	7 1/2	8	5/8	1
5	6"	11 1/2	7 1/2	9	5/8	1
6	7"	13 1/2	7 1/2	10	5/8	1
7	8"	15 3/4	7 1/2	11	3/4	1
8	9 1/2	18 1/4	7 1/2	12	3/4	1
9	10 1/2	20 1/4	7 1/2	13	3/4	2
10	11 1/2	22 1/4	7 1/2	14	1"	2
11	12 1/2	24 1/4	7 1/2	15	1"	2
12	13 1/2	26 1/4	7 1/2	16	1"	2
13	14 1/2	29 1/4	7 1/2	17	1"	2
14	15 1/2	30 1/4	7 1/2	18	1"	2
15	16 1/2	32 1/4	7 1/2	19	1"	2
16	17 1/2	34 1/4	7 1/2	20	1"	2
17	18 1/2	36 1/4	7 1/2	21	1 1/2	2
18	19 1/2	38 1/4	7 1/2	22	1 1/2	2
19	20 1/2	40 1/4	7 1/2	23	1 1/2	2
20	21 1/2	42 1/4	7 1/2	24	1 1/2	2
22	23 1/2	46 1/4	7 1/2	26	1 1/2	2
24	25 1/2	50 1/4	7 1/2	28	1 1/2	2