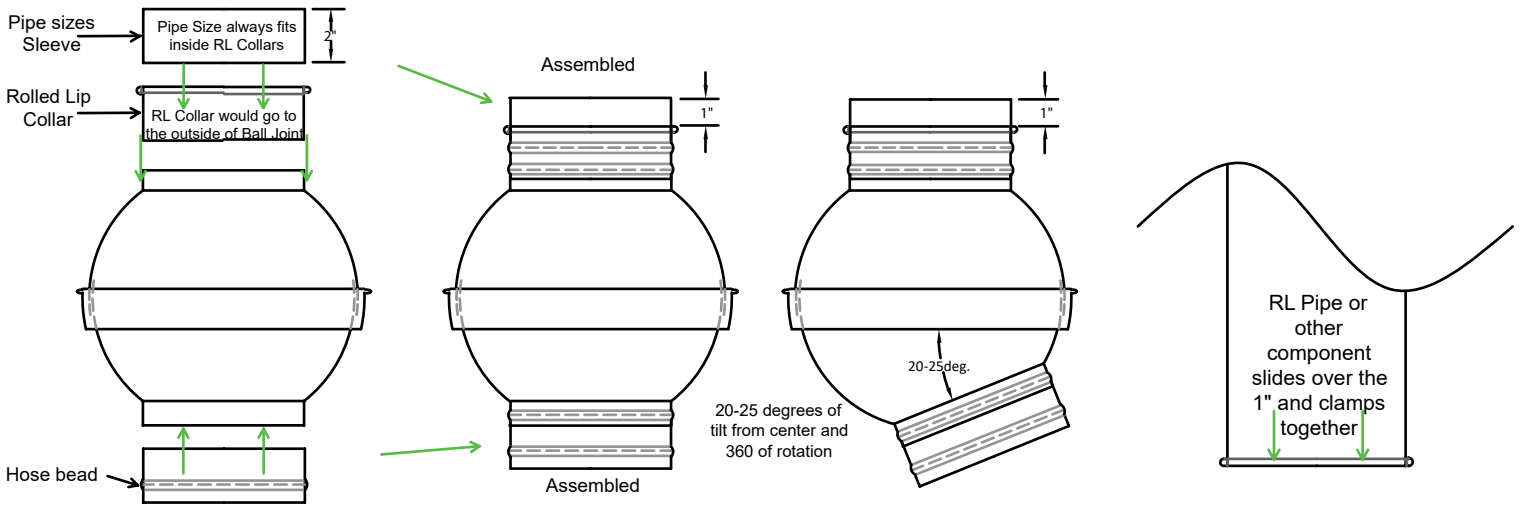


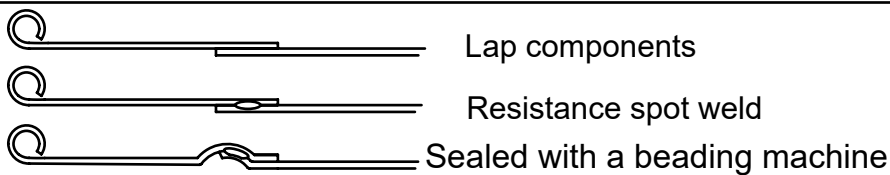


Ball Joint (Rolled Lip)

- Available in Galvanized 3-10" and 12"
- Connection types: Rolled Lip



Cross Sectional detail of a lap and Spot weld Construction





Swivel Joints

- Available in sizes 3" to 12" diameters
- Large diameter available upon request
- Material Types: Galvanized and Stainless Steel

