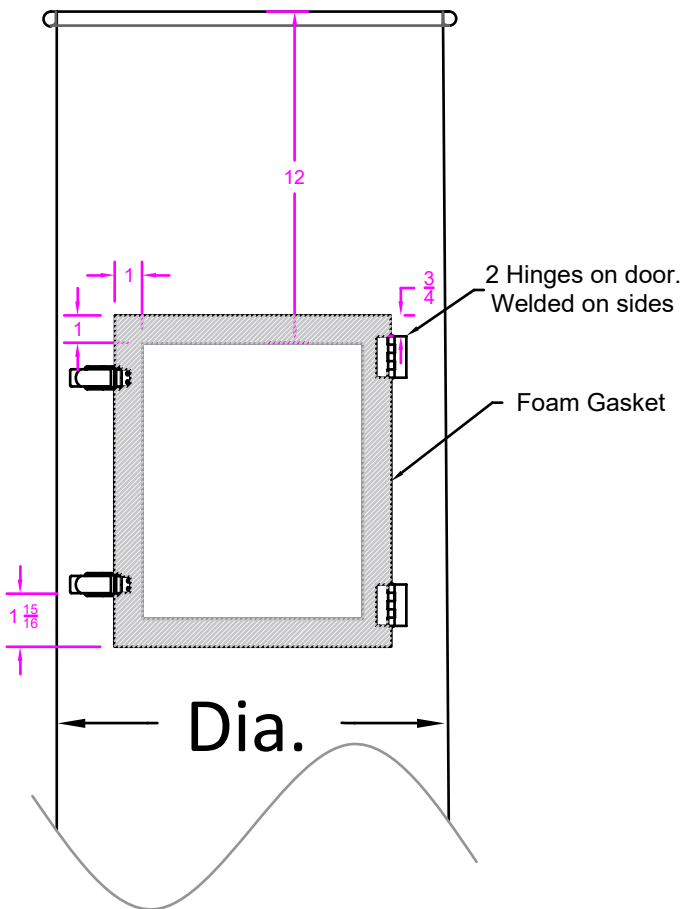




Clean-Out Doors

- Standard clean-outs are placed 12" from the end of pipe
- 1" wide foam gasket around perimeter of door interior is standard
- Available in Buna N (Nitrile), EPDM, Silicone/Red High-temp



Pipe Size Dia.	Opening Pipe	Door Size	Hinge Size	# of latches
4-6"	4" x 6"	6" x 8"	1.5" x .75"	1 Centered
7-10"	6" x 8"	8" x 10"	1.5" x .75"	2
11-18"	8" x 10"	10" x 12"	1.5" x .75"	2
19-32"	10" x 12"	12" x 14"	1.5" x .75"	2
33-47"	12" x 14"	14" x 16"	2" x 1"	2
48" and up	16" x 18"	18" x 20"	2" x 1'	2

