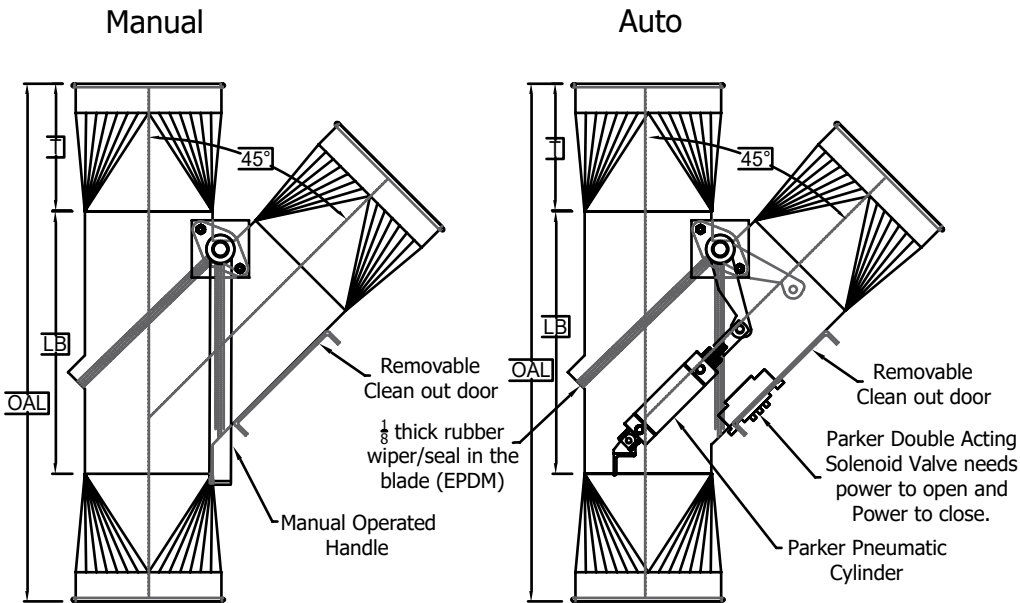
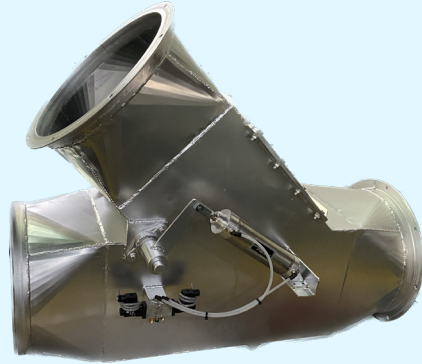


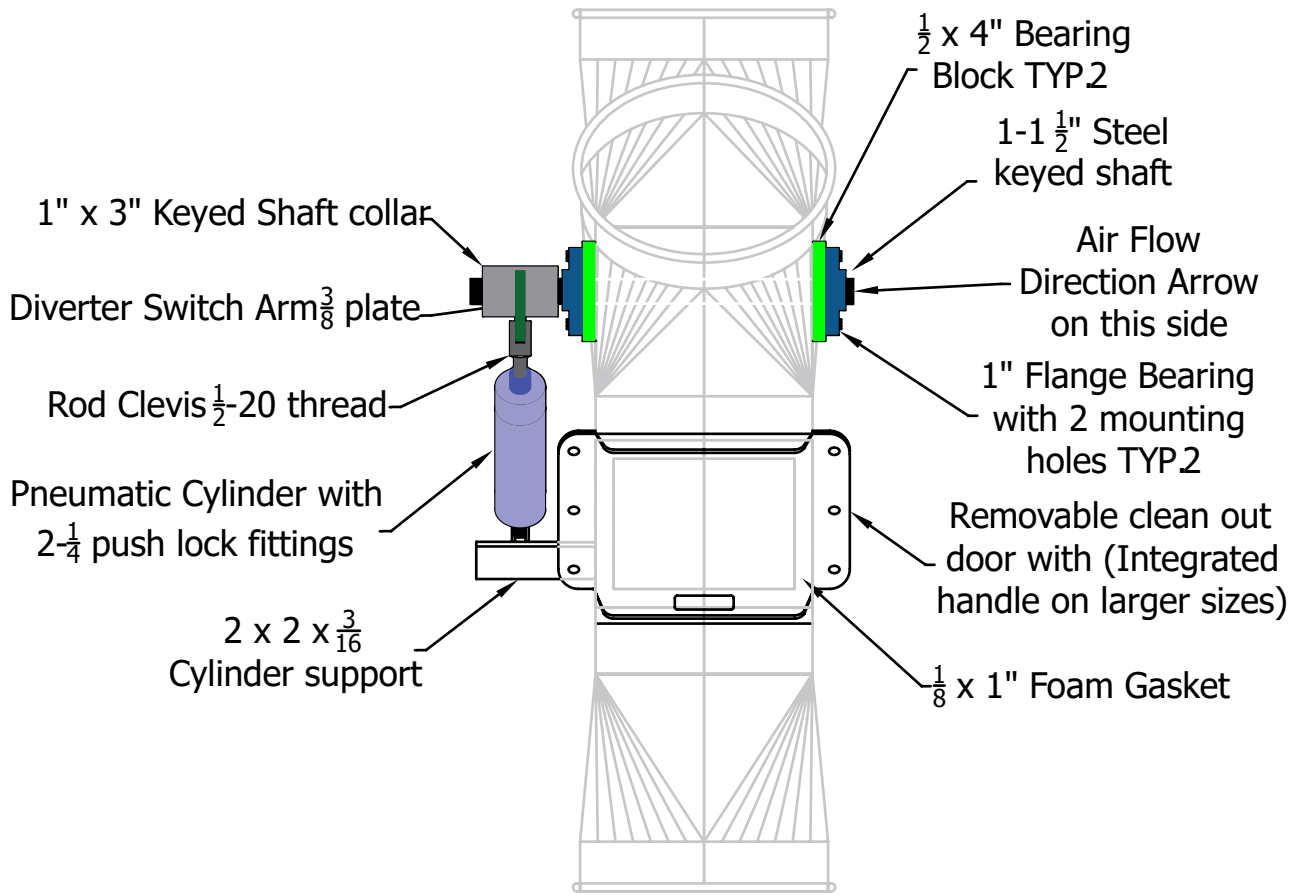


Diverter Valves

- Standard with Rolled Lip and available with Vanstone Lip and Angle Rings
- Available with Limit Switches as a adder
- Available in automatic and manual



Size ø	Trz.	L-Body	OAL
4	7	10.5	24.5
5	7	12	26
6	7	13	27
7	7	14.5	28.5
8	7	15.5	29.5
9	7	17	31
10	9	18	36
11	9	19.5	37.5
12	9	23	41
13	9	24	42
14	9	25.5	43.5
15	9	26.5	44.5
16	9	28	46
17	9	29	47
18	9	30	48
19	12	31.5	55.5
20	12	32.5	56.5
22	12	35	59
24	12	37.75	61.75



Diverter Size	Cylinder Dim.	Cylinder Stroke
4-6"	1 1/2"	3"
7-10"	2 1/2"	3"
11-24"	2 1/2"	6"

Size Ø	Trz.	L-Body	OAL
26	18	42	78
28	18	44.5	80.5
30	18	46.5	82.5
32	18	49.5	85.5
34	20	52	92
36	20	55	95
38	20	57	97
40	20	59.5	99.5

Manual Arm

